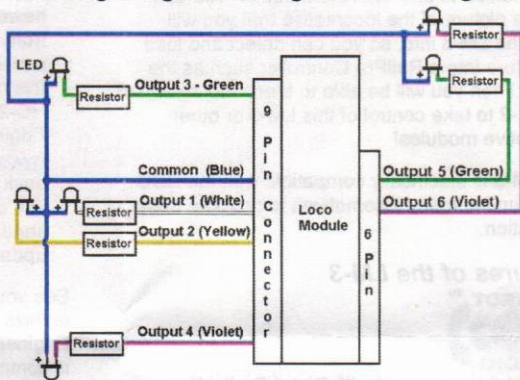


Wiring Diagram Using LED's for Lights



WARNING: Using LED's without resistors can damage the LED's!
Use 1k Ohm 1/4W for 15mA or 750 Ohm 1/2W for 20mA.

WARNING: If you use the wrong resistor, it is possible to generate enough heat to ignite flammable material, and possibly cause a fire.