



www.athearn.com

Athearn, Inc.
1550 Glenn Curtiss
Carson CA 90746

FLYWHEEL - DRIVE SD45-2 Diesel Road Locomotive

ADDITIONAL PARTS:

Window and Lens Set Set Includes: Cab Window Front (4) Cab Rear Window (2) Cab Side Window (4) Number Board Glass (2) Wind deflectors (4) "L" Window	80515
Sideframe Set Set Includes: Sideframe (4) Brake Cylinder (8) Snubbers (4)	45036
Handrail Set Black (CRR, NS, SCL) Blue (ATSF) Blue (Conrail) Blue (CSX YN3) Blue (MRL) Dk. Green (BNSF) Gray (CSX YN2) Gray (EL) Gray (SBD) White (ATSF Bicentennial) Yellow (ATSF) Set Includes: Long Handrails (2) End Railings (2) Short Railings (2)	G67022 G67023 G67024 G67025 G67026 G67027 G67028 G67029 G67030 G67031 G67032
Front Power Truck Rear Power Truck	44011 44012
Antenna set Set includes Large Sinclair (1) Small Sinclair (1) Dome-Octagon (1) Dome-Round (1) Can (1)	91586
Sprue #1 Sprue Includes: Exhaust Stack Dust Bin Blower Housing Battery Box Covers (L&R) Brake Ratchet Dynamic Electrical Cabinet Dynamic Electrical Vent Nose Light Housing Sandfiller Caps MU Stand and Cap	91645
Sprue #2 Sprue Includes: Dynamic Brake Blisters (L&R) Dynamic Brake Doors (L&R)	91646
Sprue #3 Sprue Includes: Air Conditioner Air Tanks (2) Sm. Vent (3) Lg. Vent Hose Tray Fuel Tank Details	91647
Cab Cab includes: Cab Window Frames (2) Number Board Housing Door Handles (2) Arm Rests (2) Headlights (2) Vent (2)	80513
Wire Lock Set Grab Irons Set Set Includes: Drop Grab Iron (12) Curved Fan Grab	G63838 93469
EL Parts Sprue Sprue Includes: Low Dust Bin Low Exhaust Stack Dynamic Brake Vent Drop Steps (2)	G67004
Signal Hoses Coupler Cut Bars Bell (Frame Mount)	G67034 G67035 91791

Cab Interior Set
G63911
Set Includes:
Floor
Seats (3)
Control Stand
Cab Heater
Rear Wall
Front Wall

HANDRAIL SET

SNOWPLOW
G60550 LOW
G60560 HIGH

WORM HOUSING
40053

COUPLER BOX
80519

BEARING
40052

COUPLER

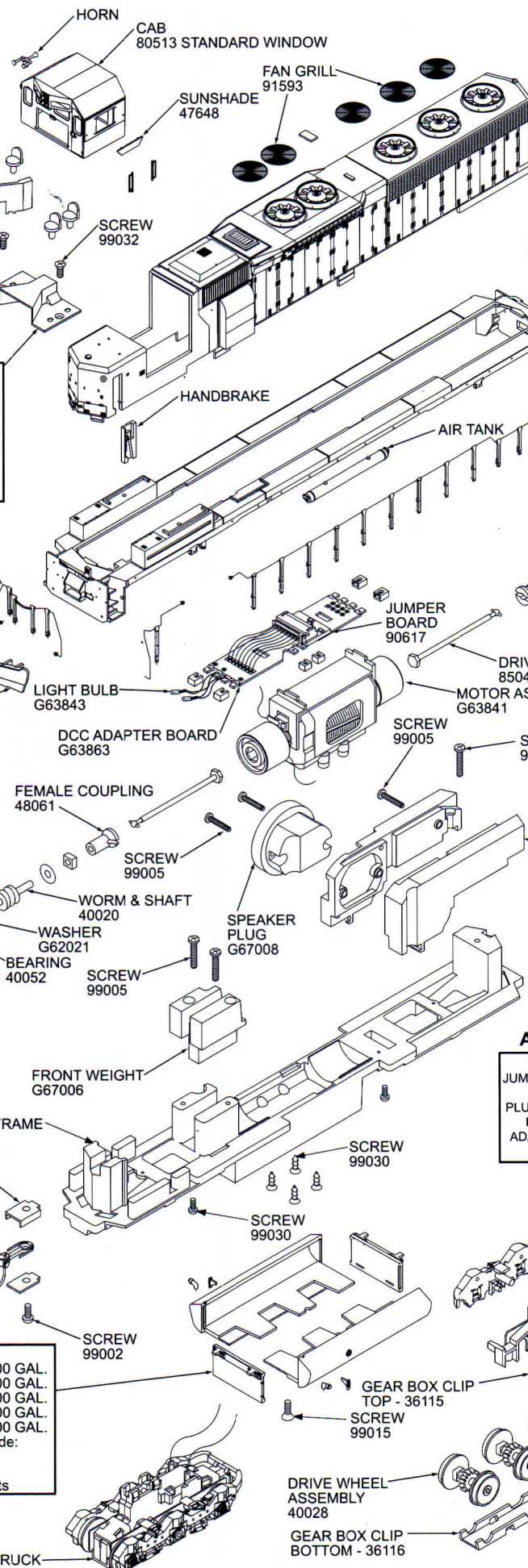
FUEL TANK
90640 2600 GAL.
90641 3200 GAL.
90642 3600 GAL.
90643 4000 GAL.
90644 5000 GAL.
Tanks Include:
Sides (2)
Ends (2)
Detail Parts

COUPLER

SCREW
99002

SCREW
99002

POWER TRUCK



NOTE:
TO REMOVE THE BODY, FIRST REMOVE THE COUPLERS AND COUPLER BOXES. THEN REMOVE THE TWO SCREWS SECURING THE BODY (ONE UNDER EACH TRUCK NEAR THE ENDS OF THE FUEL TANK)

LONG HOOD
G67001 W/ NOSE LIGHT
G67011 EL VERSION
G67021 W/O NOSE LIGHT

WALKWAY
G67002 W/ ANTICLIMBER
G67012 W/O ANTICLIMBER

If you are missing parts please call
(310) 763-7140 ext 107 or E-mail
parts@athearn.com



PLEASE NOTE:
NOT ALL PARTS SHOWN ARE APPLIED TO ALL MODELS. ONLY THOSE PARTS APPLICABLE TO THE PROTOTYPE ARE INCLUDED WITH THE FINISHED MODEL.

ATHEARN QUICK PLUG DCC

TO CONVERT TO DCC, UNPLUG THE DCC JUMPER BOARD, AND THEN PLUG IN A DECODER WITH EITHER A 9-PIN PLUG OR AN 8-PIN PLUG. IF THE 8-PIN CONNECTOR IS TO BE USED IT WILL HAVE TO BE SOLDERED INTO THE ADAPTOR BOARD. NO RESISTORS SHOULD BE NEEDED FOR THE LIGHT BULBS.

GEAR - 23T
40030

GEAR - 16T
41020

GEAR BOX CLIP TOP - 36115
SCREW 99015

DRIVE WHEEL ASSEMBLY
40028

GEAR BOX CLIP BOTTOM - 36116